



Coexistence Product Guide

A Complete Suite of PON Coexistence Elements CEx



Offering
up to **50G**

Coexistence Element for PON Networks

The Coexistence Element CEx is a versatile WDM device that consolidates existing GPON services with a suite of high-bandwidth options, including XGS (10G), NGPON2 (TWDM up to 40G), 25GS, and the latest 50G technology.

Montclair Fiber Optics offers a flexible platform of Coexistence Element products to fit your specific PON deployment needs in the most cost-effective way. Each CEx can be fully equipped with all PON services or tailored to include only the services you require.

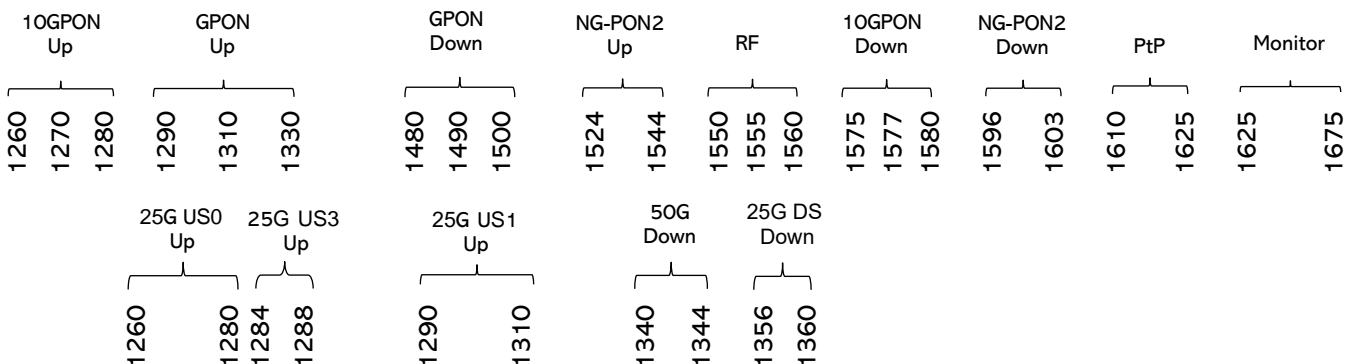
The Coexistence Element provides additional provisioning wavelengths, including RF, OTDR Monitor, NG-PON2, and Point-to-Point (PtP). Premium optical components and high-quality connectivity ensure superior performance, minimal loss, and robust network reliability.

CEx products are available in a variety of form factors, including LGX® modules, ruggedized cassettes, rack-mount units, high-density configurations, and customized housings.

CEx PON Options:

	Wavelength Range (nm)		Center (nm)	
	Upstream	Downstream		
GPON	1290 – 1330	1480 – 1500	1310 1490	
XGS-PON	1260 – 1280	1575 – 1581	1270 1577	
25GS (UW3 / DS0)	1284 – 1288	1356 – 1360	1286 1358	
50G-PON (US2)	1260 – 1280	1340 – 1344	1270 1342	Coexist with GPON
50G-PON (US1)	1290 – 1310	1340 – 1344	1300 1342	Coexist with XGS-PON
VHSP (New)	Very High Speed PON			
NG-PON2	1524 – 1544	1596 - 1603		
RF	1550 - 1560			
PtP	1610 - 1625			
Monitor OTDR	1625 - 1675			

Wavelength Designations



Coexistence Housing Options

Coexistence Elements are available in a wide range of standard housing options and configurations. Any Coexistence can be customized to accommodate multiple Coexistence Elements in a single housing for high-density applications.



LGX[®] Module

- Installer-Friendly
- Robust aluminum metal-housing
- Available with adapter ports or 2.0mm outdoor-rated black fiber connectorized

Rack-Mount

- Standard 1RU
- Durable metal-housing
- Available with multiple CEx



Ruggedized Cassette

- Ruggedized aluminum metal-housing
- Standard 2.0mm outdoor-rated black fiber connectorized cables
- Each fiber leg is clearly marked & labeled

High-Density and Custom Configuration Options

Available for all Housing Types

LGX[®] Rack-Mount Panels & Brackets

Montclair optical component LGX[®] modules easily install into the LGX[®] rack-mount panels and brackets with Tool-less Push-Pull tabs.



Panels

1RU 3 Slot | 2RU 6 Slot | 3RU 12 Slot | 4RU 12 Slot



Brackets

1RU 3 Slot | 2RU 6 Slot



Ordering Information

MFT- 1 / NGP2 - CE - 2 / 3 - 4 - 5

1. Housing:

C	Cassette
M	LGX Module
R	Rack-Mount
T	Steel-Tube

Available in Custom Options

2. Connector COM Side:

ALC	LC/APC
LCU	LC/UPC
ASC	SC/APC
SCU	SC/UPC

3. Connector PON Side:

ALC	LC/APC
LCU	LC/UPC
ASC	SC/APC
SCU	SC/UPC

4. CEx Configurations:

P/N Code	Description	P/N Code Key:	
(G/X)	GPON XGS-PON	G	GPON
(G/X/R)	GPON XGS-PON RF	X	XGS-PON
(G/X/R/M)	GPON XGS-PON RF MONITOR (OTDR)	M	Monitor OTDR
(G/X/R/P/M)	GPON XGS-PON RF PtP MONITOR (OTDR)	N	NG-PON2
(G/X/R/P/N/M)	GPON XGS-PON RF PtP NG-PON2 MONITOR (OTDR)	P	PtP
Leave Blank (no code)	GPON XGS-PON RF PtP NG-PON2	R	RF
(G/X/M)	GPON XGS-PON MONITOR (OTDR)	25	25GS-PON
(G/X/P)	GPON XGS-PON PtP	50UW1	50G-PON (UW1; DW1)
(G/X/P/M)	GPON XGS-PON PtP MONITOR (OTDR)	50UW2	50G-PON (UW2; DW1)
(G/X/P/N/M)	GPON XGS-PON PtP NG-PON2 MONITOR (OTDR)		
(G&X)	GPON & XGS-PON (1 Shared Port)		
(G&X/R)	GPON & XGS-PON (1 Shared Port) RF		
(G&X/R/M)	GPON & XGS-PON (1 Shared Port) RF MONITOR (OTDR)		
(49&X/R)	1490 & XGS-PON (1 Shared Port) RF		
(G/X/25)	GPON XGS-PON 25GS-PON (UW3 1284-1288nm; DW0 1356-1360nm)		
(G/X/25/M)	GPON XGS-PON 25GS-PON (UW3 1284-1288nm; DW0 1356-1360nm) MONITOR (OTDR)		
(G/X/50UW1)	GPON XGS-PON 50G-PON (UW1 1290-1310nm; DW1 1340-1344nm)		
(G/X/50UW2)	GPON XGS-PON 50G-PON (UW2 1260-1280nm; DW1 1340-1344nm)		
D1	XGS-PON 25GS-PON G-PON PtP Monitor		
D2	XGS-PON 25GS-PON 50G-PON PtP Monitor		
D3	XGS-PON 25GS-PON VHSP 50G-PON PtP Monitor		

Please Note:

Please inquire for additional configurations not shown

5. Number of CEx in a Housing:

(2)	2 CEx
(3)	3 CEx
(4)	4 CEx
(6)	6 CEx
(8)	8 CEx

Please Note:

Configuration and Number of CEx in a Housing are determined at time of quotation and ordering